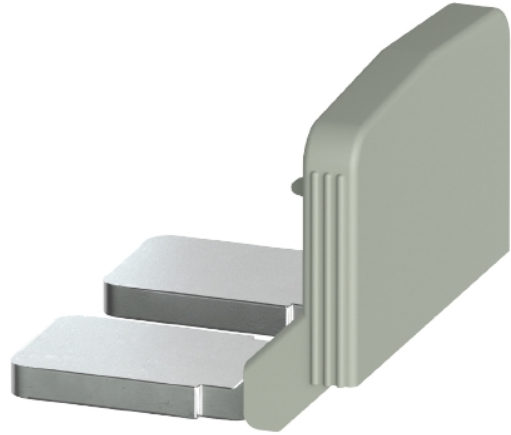


Data sheet

Commercial Art.No.: 0D.S51.3227.0

insert bridge IVB WTN 150-2 IN

insert bridge IVB WTN 150-2 IN modular spacing 31 mm, insulated yes, number of poles 2, color grey, height 39.6 mm, mounting method screwable, inflammability class of insulation material acc. with ul94 V0



| | |
|--------------------|---------------|
| Commercial Art.No. | 0D.S51.3227.0 |
| EAN | 4049088724046 |
| Order Unit | 50 |

Technical data

general

| | |
|--|-----------------|
| color | grey |
| inflammability class of insulation material acc. with UL94 | V0 |
| width/grid dimension | 54.6 mm |
| length | 44.5 mm |
| modular spacing | 31 mm |
| number of bridged clamps | 2 |
| mounting method | screwable |
| insulated | yes |
| model | cross connector |
| height | 39.6 mm |

classification

| | |
|----------|----------|
| ETIM 9.0 | EC000489 |
|----------|----------|

product compliance

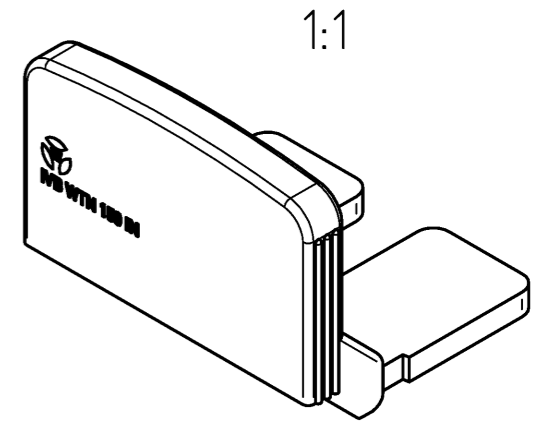
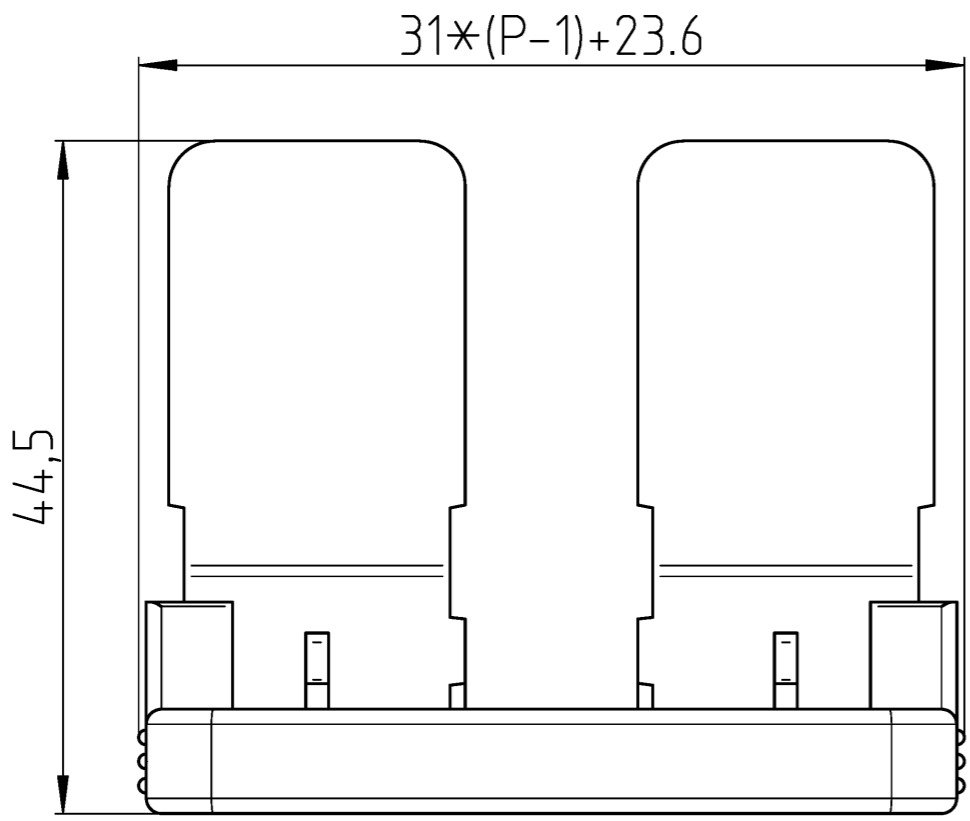
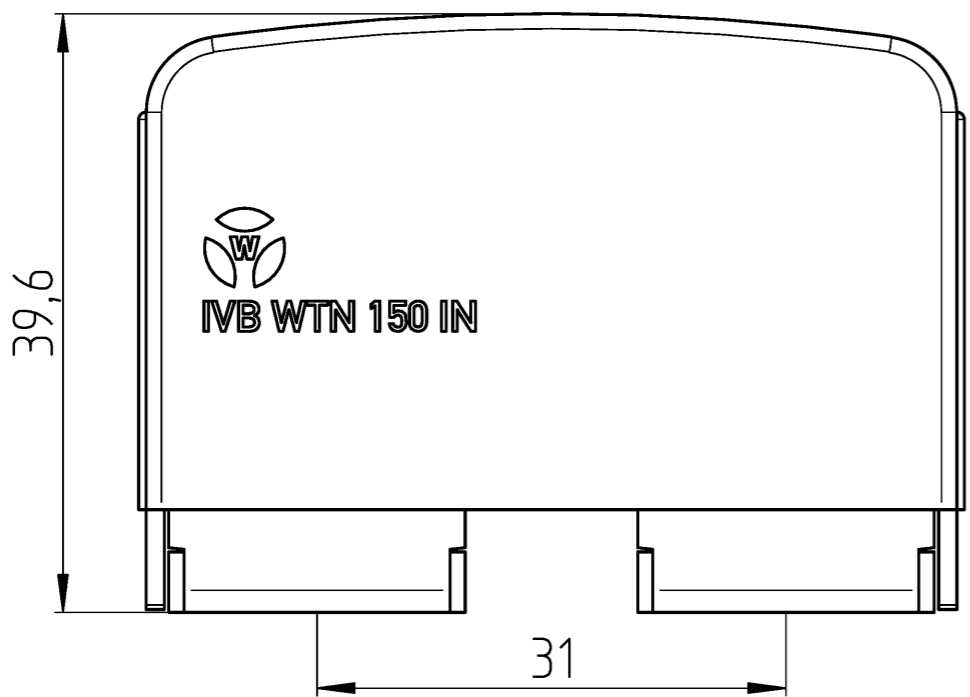
| | |
|------------------------------|-----------|
| REACH-SVHC conformity status | compliant |
|------------------------------|-----------|

A
 © Alle Rechte vorbehalten
 © All rights reserved
 Vertraulich
 Confidentiality Class.

B
 These dimensions will be especially checked at delivery
 Only inspection dimensions
 With /E marked dimensions are only valid for internal use.

C
 Diese Maße werden bei Abnahme besonders geprüft
 Ausschließlich Prüfmaße
 Mit /E gekennzeichnete Maße sind nur für interne Zwecke gültig.

F



Weitere Daten siehe KATALOG oder eKatalog
 additional data see CATALOG or eCATALOG
www.wieland-electric.com
eshop.wieland-electric.com

Tolerierung Size ISO 14405 © / Tolerance system Size ISO 14405 ©.
 (This ISO-standard describes the envelope principle. According to the envelope principle the deviations of form and parallelism are limited by the size tolerances).
 ja/yes Stoffverbots- und Deklarationsliste nach WN 5020.010 ist einzuhalten.
 Conformity with Wieland document WN 5020.010 e (list of prohibited / declarable hazardous substances) to be declared!

Freitoleranz nach General tolerance CAD - Zeichnung, keine manuellen Änderungen CAD - drawing, no manual modifications allowed 1. Verwendung: First Use: Blatt: 1 von 1 Sheet: 1 of 1

| | | | | |
|--|--------------------|-------------|-----------------------------------|-------|
| Werkstoff / Material | Tag/Date | Name | Zeichnung Nr. / Drawing No. | Index |
| Maßstab / Scale | gezeichnet / drawn | Eichhorn N. | | |
| 2:1 | 29.10.2025 | | T 0D.S51.3227.0 13K | |
| Elektronische Freigabe Electronic Release | | | Maße in mm / Dimensions are in mm | |

| Bestell-Nr. /order no. | Polzahl P /number of poles P | Typ /type | Farbe /colour | VPE: packaging unit: |
|---------------------------|---------------------------------|------------------|------------------|-------------------------|
| 0D.S51.3227.0 | 2 | IVB WTN 150-2 IN | grau / grey | 50 |
| 0D.S51.3327.0 | 3 | IVB WTN 150-3 IN | grau / grey | |

| | | | |
|---|-------------------------------|------|--|
| Vol. mm ³ / Of./Srf. mm ² | Ersatz für / Replacement for: | Type | Benennung/Title |
| | | | EINLEGEBRUECKE connection plug |
| | | | |
| Index | Datum / Blatt Date / Sheet | | |
| Änderung / Revision | | | |